

规格 / Specifications:

翼展 / Wingspan	992 mm / 39.1 in
机长 / Length	1300 mm / 51.2 in
起飞重量 / Take off weight	2300 g / 81.1 oz (含6S,3300mAh电池 / with 6S,3300mAh battery)
巡航速度 / Cruising speed	160 km/h
飞行时间 / Flying time	3~5 分钟 / minutes
主翼面积 / Main wing area	28.1 dm ²
翼面载荷 / Loading of airfoil surface	81.9 g/dm ²
商品主材质 / Main material	航模专用进口 34 倍 EPO / 34 times the import of aeromodelling EPO
机体表面处理 / Body Surface Treatment	哑光环保水性漆+水贴纸 / Matte environmental water-borne paint + decal
适合经验水平 / Suitable experience level	<input type="checkbox"/> 零级 / Zero basis <input checked="" type="checkbox"/> 初级 / Beginner <input type="checkbox"/> 中级 / Intermediate <input type="checkbox"/> 高级 / Advanced
PNP 组装难度 / PNP assembly difficulty	<input checked="" type="checkbox"/> ☆ (10分钟 / mins) <input type="checkbox"/> ★☆ (30分钟 / mins) <input type="checkbox"/> ★★ (30+分钟 / mins)
适合操作年龄 / Operate suitable for age	18 周岁或以上 / Above 18 years of age
工作环境温度 / Working temperature	0°C ~ 40°C

配置 / Configuration:

遥控通道 / Remote control channel	4CH (选配 / Selective configuration)
动力涵道 / Power system	暴风 80mm 涵道 / Storm 80mm EDF
动力电机 / Power motor	6SD3552 / KV1900 无刷 / Brushless
电池 / Battery	6S / 22.2V / 3300~5200 mAh / 45C / Li-Po (选配 / Selective configuration)
电调 / ESC	好盈 100A 无刷 (内置 UBEC) / HOBBYWING 100A brushless (with UBEC)
舵机 / Servo	12g × 6 PCS (金属齿轮数码舵机 / Metal gear digital)
起落架 / Landing gear	全金属避震起落架 / All metal shock absorber landing gear
LED 灯光系统 / LED Lighting System	无 / No
副翼 / Aileron	有 / Yes
平尾 / Horizontal tail	有 / Yes
垂尾 / Vertical tail	有 / Yes
增稳陀螺仪 / Reinforced gyro	选配 / Selective configuration
包装 / Packaging	EPO 3D 包装盒+外箱 / EPO 3D box + Outer Box (1090×415×275mm)
重心 / Center of gravity	距离机翼前缘 73~78 mm leading edge of main wing

www.hsdrc.com

hsd@hsdjetshuangsai.com

公司地址: 广东省东莞市长安镇上沙社区福寿路 4 号黄赛航空(邮编: 523867)

生产地址: 贵州省安顺市西秀区西秀产业园区标准化厂房 F6 栋 (邮编: 561099)

www.hsdrc.com

sales1@hsdjetshuangsai.com

Company address : HSDJETS, 4 Fushou Road, Shangsha community, Chang'an Town, Dongguan City, Guangdong Province, China (Post: 523867)

Production address : Building F6, Standardized Factory Buildings, Xixiu Industrial Park, Xixiu District, Anshun City, Guizhou Province, China (Post: 561099)



扫码关注, 谢谢支持!

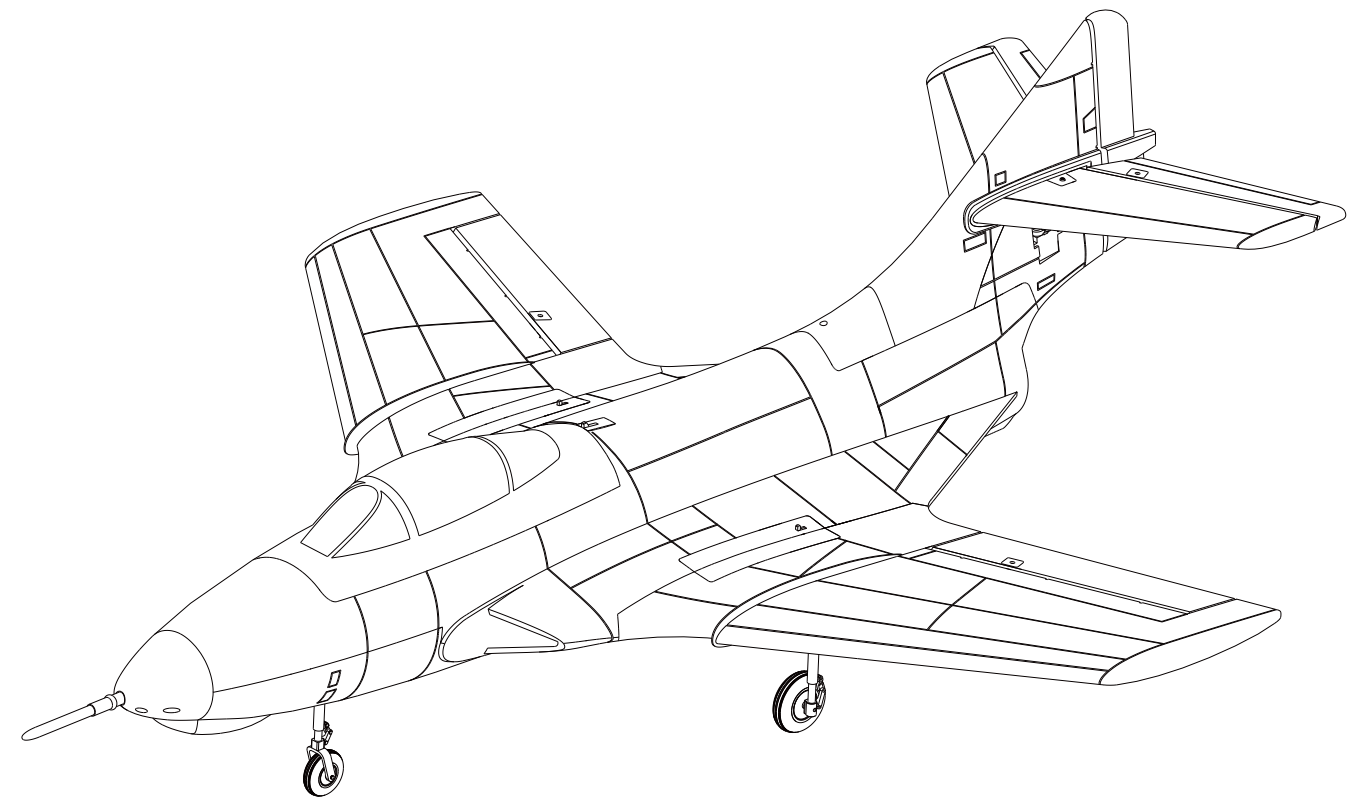
© 黄赛航空 版权所有

Copyright © HSDJETS, All Rights Reserved.

Designed by HSDJETS. Printed & Made in China 2023.10

HSDJETS®

HF9F-80EDF 快速组装说明 QUICK SETUP MANUAL



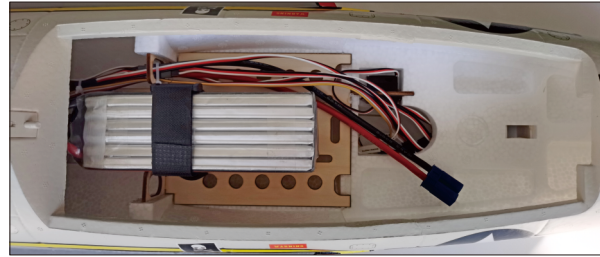
产品序列号:

想了解更多产品视频、图片、注意事项等信息

请登陆: www.hsdrc.com

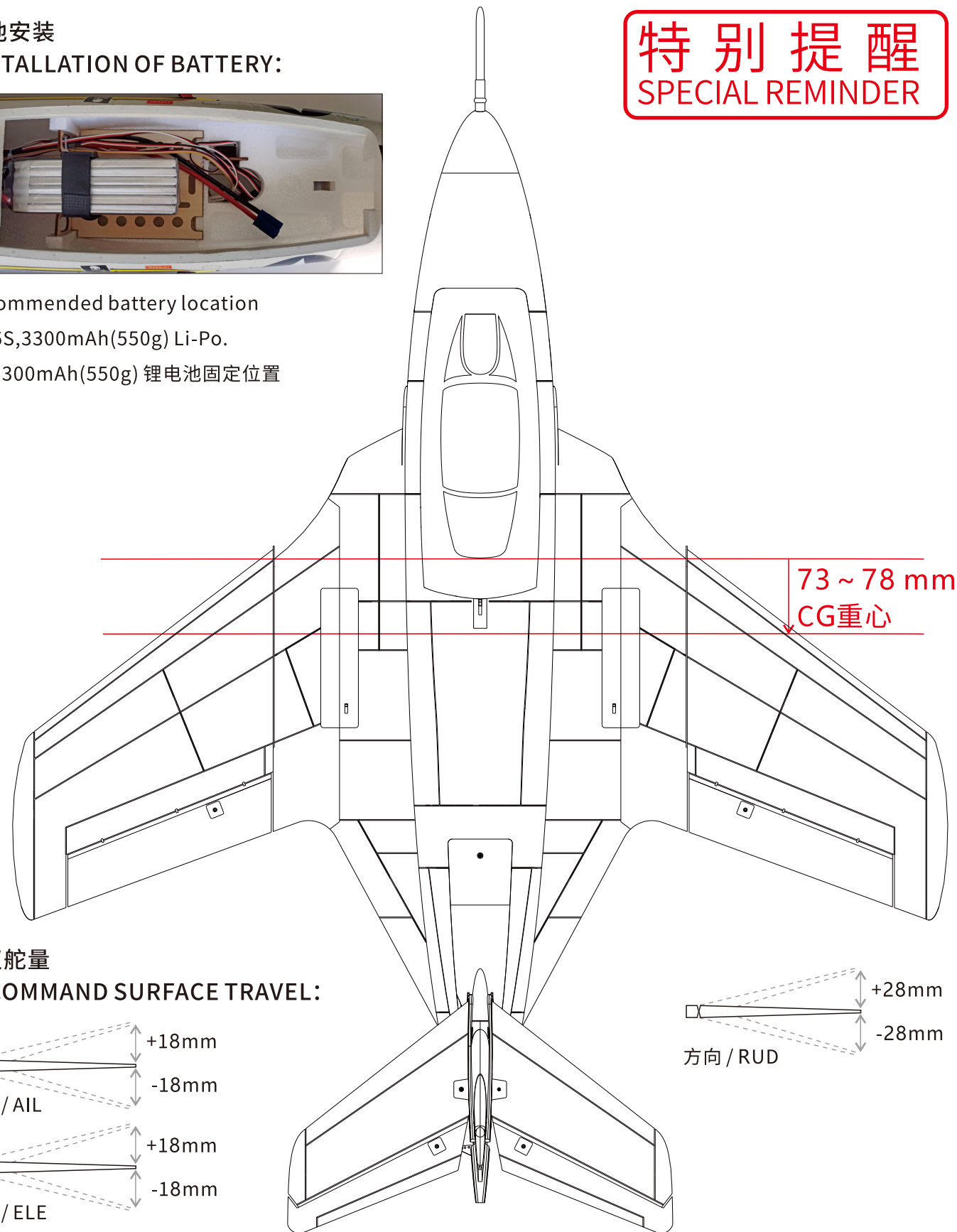
Want to learn more about the product video, pictures, and other matters of attention Please log in: www.hsdrc.com

电池安装
INSTALLATION OF BATTERY:

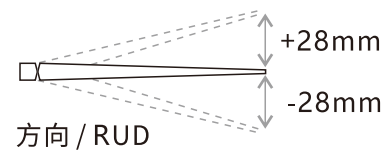
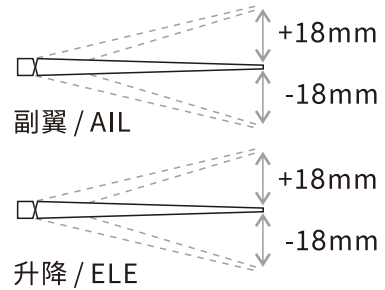


Recommended battery location
for 6S,3300mAh(550g) Li-Po.
6S,3300mAh(550g) 锂电池固定位置

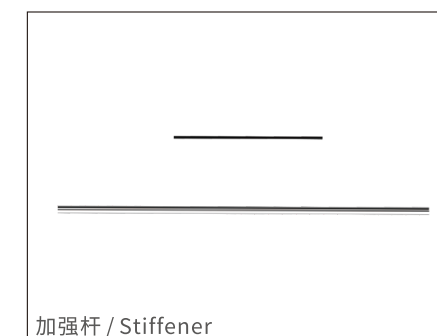
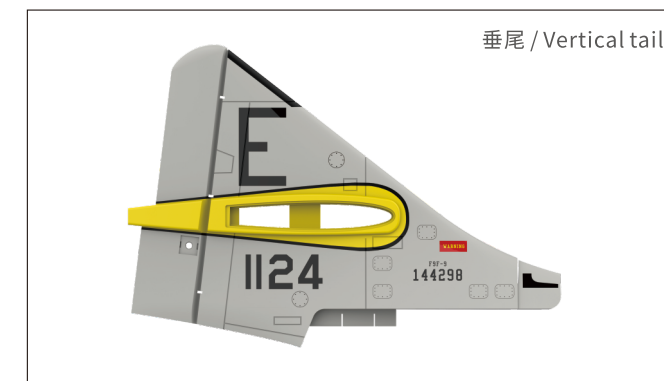
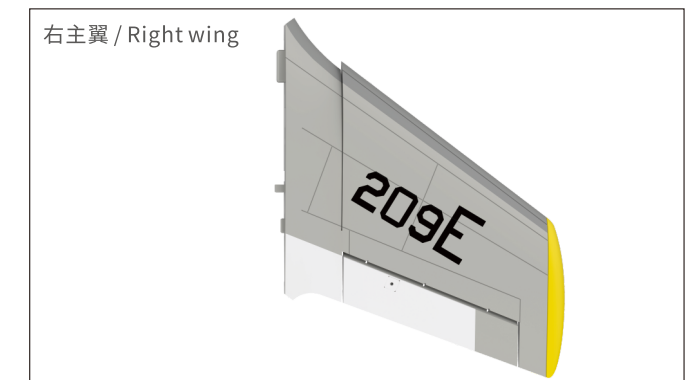
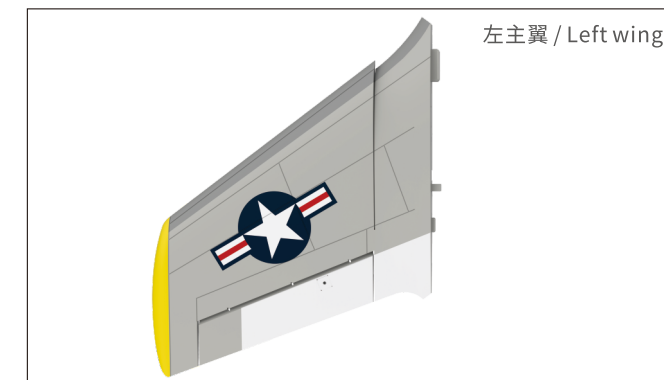
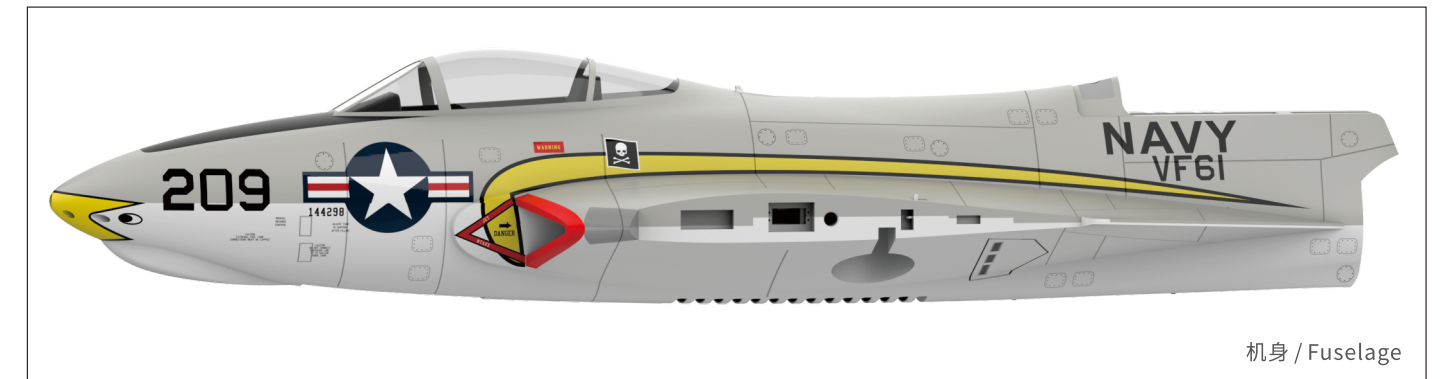
特别提醒
SPECIAL REMINDER



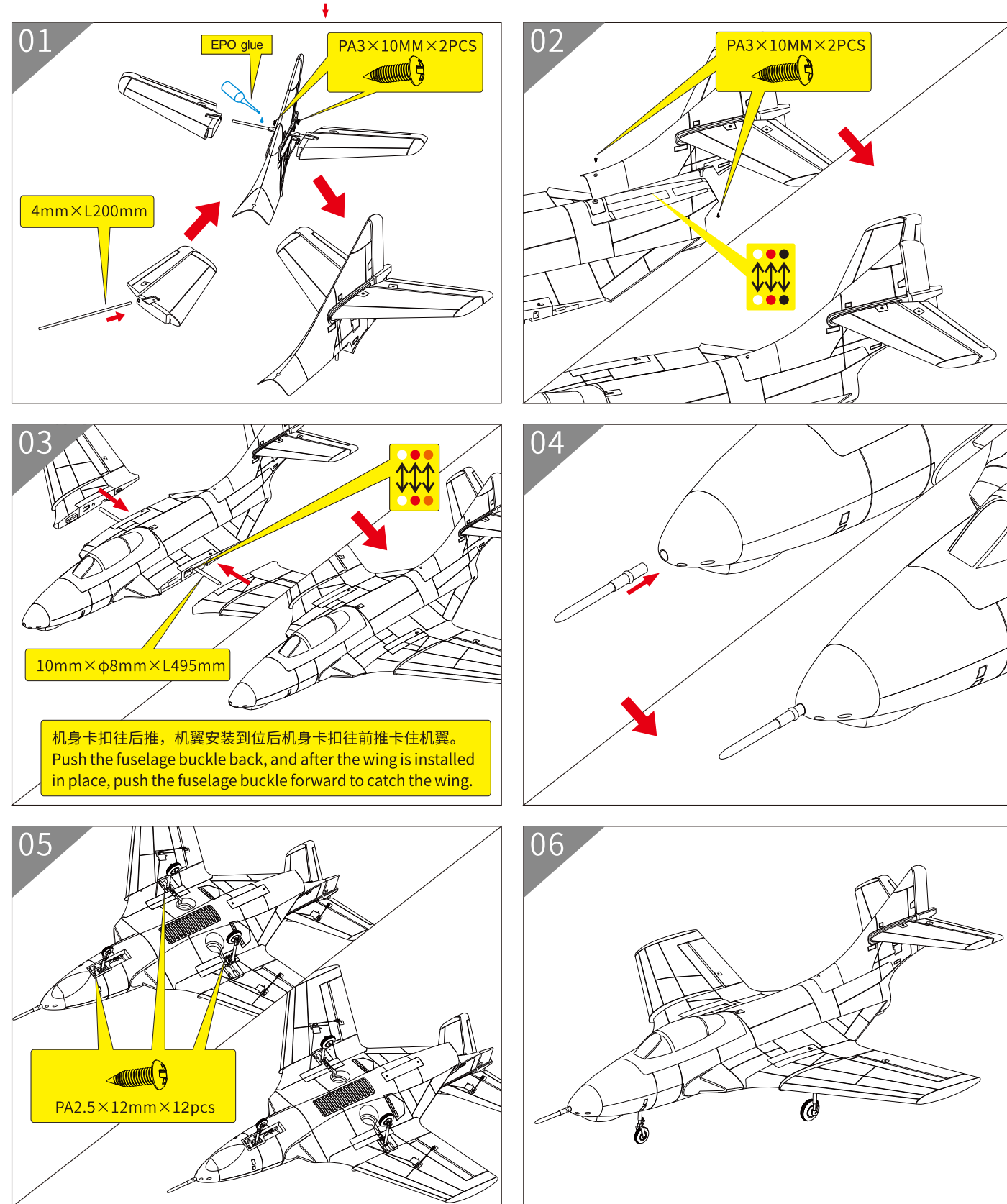
建议舵量
RECOMMEND SURFACE TRAVEL:



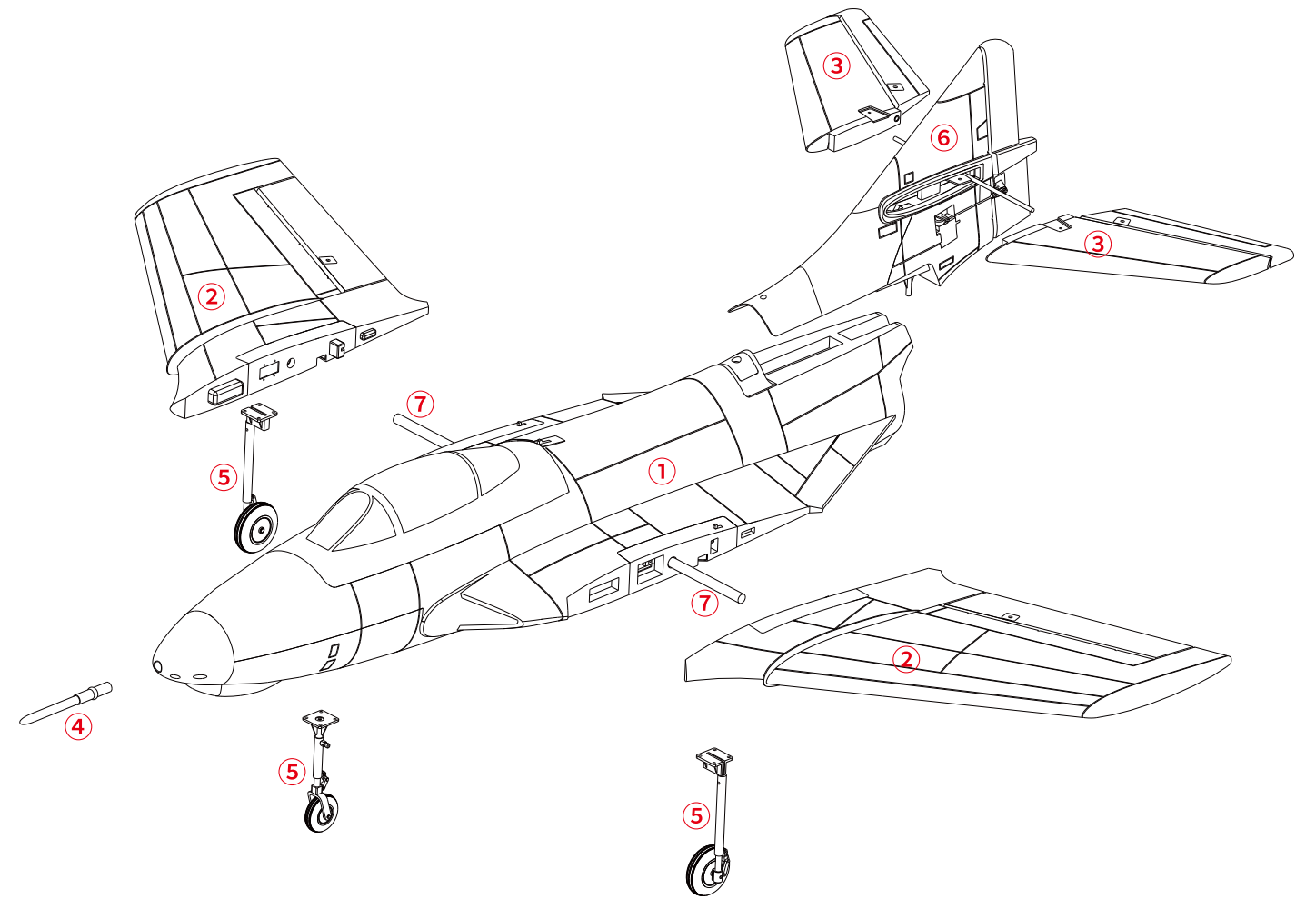
包装清单 / BOX CONTENTS:



安装 / ASSEMBLY:

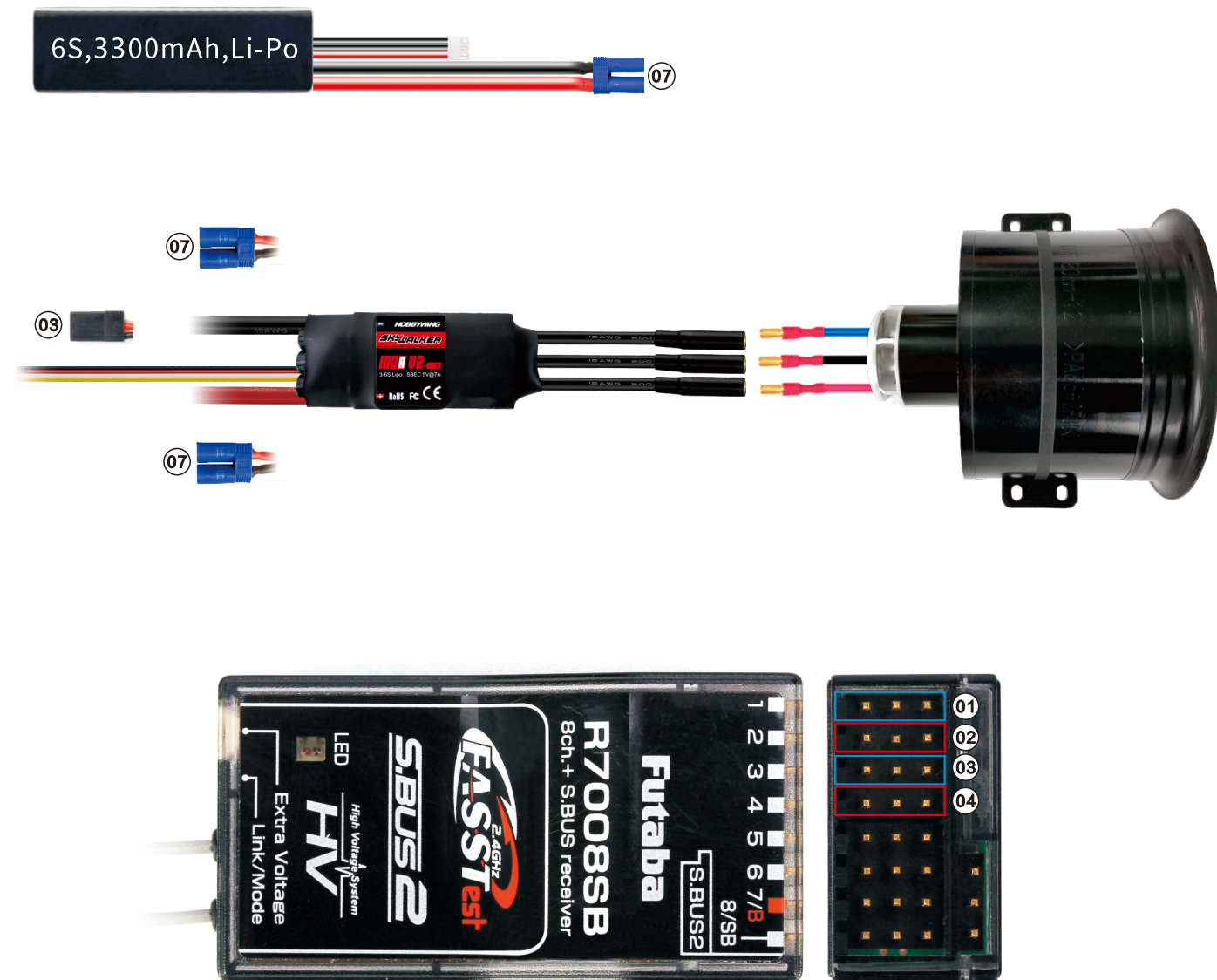


产品分解图 / DECOMPOSITION GRAPH:



- ①.机身 / Fuselage
- ②.主翼 / Main Wing
- ③.平尾 / Horizontal tail
- ④.空速管 / Airspeed tube
- ⑤.起落架 / Landing gear set
- ⑥.垂尾 / Vertical tail
- ⑦.主翼加强管 / Main wing reinforcement tube

接线图 / CONNECTION GUIDE:



- ① 副翼通道/Aileron channel
- ② 升降通道/Elevator channel
- ③ 油门通道/Throttle channel
- ④ 方向通道/Rudder channel

舵机安装 / INSTALLATION OF SERVOS:

